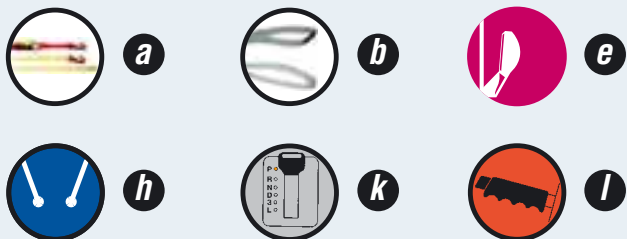


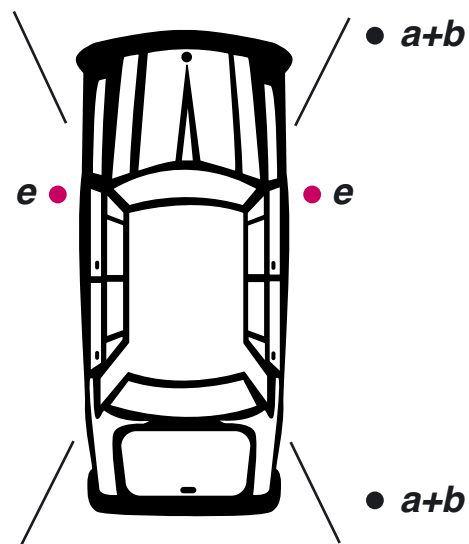
Volkswagen Rabbit

Höegh Icons



4 lashings each end when stowed athwartship

It must be ensured that the tires of the cars are located on the fixed floor of the ship during transport by sea, i.e. the tires must not be located on rings, chains etc. or have pressure contact or lateral contact with rings, chain etc.



Lashing Instructions

| | |
|---------------------------------------|----------------------------------------------------------------------------|
| Bumper to bumper: | 40 cm |
| Distance between side mirror: | 10 cm |
| Side to obstruction: | 20 cm |
| Bumper to bulkhead: | 20 cm |
| Walkway: | 60 cm |
| Distance to emergency exit / ladders: | 60 cm |
| Keys to be placed: | Key is pulled and placed in driver's door pocket or in the centre console. |

