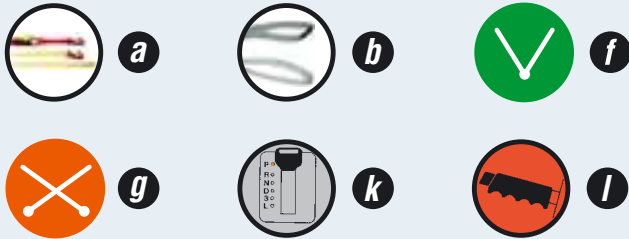
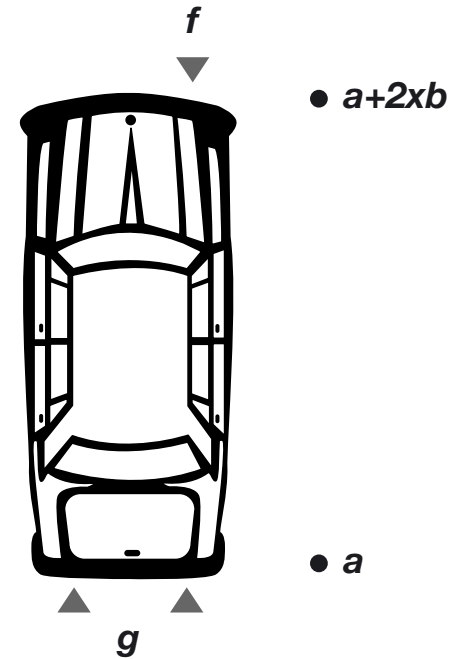


## Höegh Icons



### Jaguar – Operation of Electric Park Brake in Transit, see page 5

It must be ensured that the tires of the cars are located on the fixed floor of the ship during transport by sea, i.e. the tires must not be located on rings, chains etc. or have pressure contact or lateral contact with rings, chain etc.



## Lashing Instructions

Bumper to bumper:	30 cm
Bumper to bulkhead:	30 cm
Side to side:	30 cm
Side to obstruction:	30 cm
Walkway:	80 cm
Distance to emergency exit / ladders:	60 cm
Keys to be placed:	Glove compartment

